

M Series by ShermannAudio

M3

The Shermann **M3** is a compact, lightweight, two way low profile wedge monitor.

For operational convenience we have fitted two sets of dual NL4 input plates, one set in the top mounted handle and the other set on the other end to the handle.

Also supplied is a GSA1/35 stand mount adaptor to enable use with any good quality tripod stand or bass cabinet mounted extension pole.



Low-Profile Versatility.

Cost-effective, lightweight, compact and capable of performing a wide variety of tasks.

The **M3** is a powerful stage monitor; using its steep 35° angle it can be placed close to microphone stands for maximum upward vocal projection and reduced spill to other performers.

Also, as a front-of-house PA box the **M3** offers premium performance whether stand mounted or stacked on Shermann LF units.

The **M3** may be used in partnership with any compact Shermann LF unit to create stunning drum and keyboard monitors or on-stage side fills.

Touring the M3

Versatility is the keyword with all Shermann products and the M3 has been designed to maximise use within a wide variety of system combinations.

This compact, lightweight workhorse is supplied with a strategically placed handle to assist loading or stacking.

A heavy duty 35mm pole mount is supplied as standard.

Installing the M3

The numerous advantages of fully equipped Shermann touring boxes are also available to the installer.

For obvious reasons we do not supply different versions of wedge monitors as they would normally need to be portable and therefore finished as a standard unit.

We can of course supply this model in various colour finishes.

Exterior fittings

Handle input plate housing dual NL4 connectors

Finish

Textured Protective Coating or TRC paint

Skids

Bottom and rear mounted easily replaced 15mm plywood skids

Flying Points (to order)

Yoke style wrap around bracket *

Construction

Cabinet shell

12mm multi-laminate Scandinavian birch plywood.

Baffle assembly

18mm multi-laminate Scandinavian birch plywood.

Connections

Speakon NL4

pin 1+ **hot** / pin 1- **cold**

Input sockets are parallel linked on all pins eg. 1+ to 1+ / 2+ to 2+ (see diagram)

This facility allows "daisy chaining" of four M3 cabinets in pairs using one four core cable.

An appropriate adaptor cable capable of routing the feed from pins 2+/2- to 1+/1- is available.

Crossover frequencies

High pass (full range mode)

45Hz 4th/8th order Linkwitz-Riley or Butterworth filtering

High pass (with Shermann LF systems)

110Hz 4th order Linkwitz-Riley

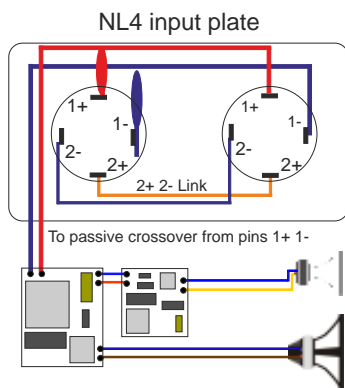
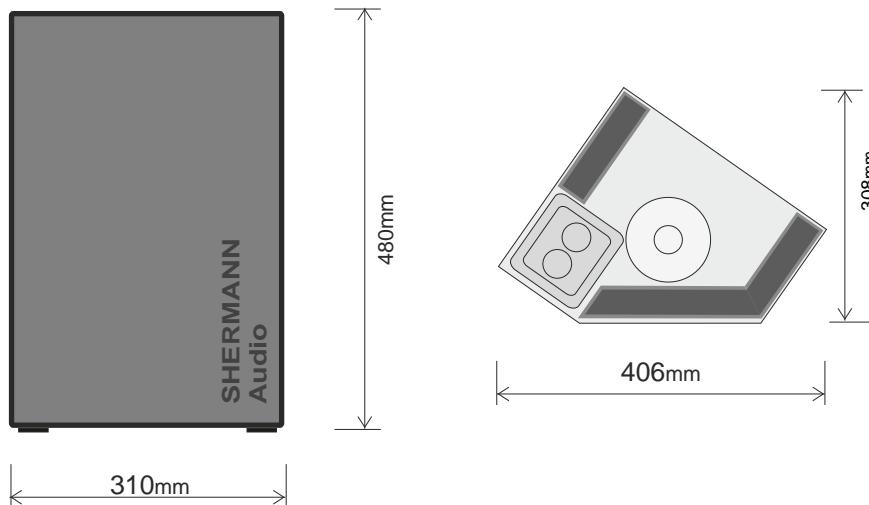
* Options must be requested at time of ordering.

For optimum performance and system protection we recommend the use of a digital loudspeaker management unit within systems incorporating the M3.

Ashly, BSS, DBX, Klark-Teknik, and XTA offer suitable models which may be loaded with preset configurations to enable successful operation within any Shermann system.

The foam front used in this cabinet is not fire retardant.

M3



Speaker Cables

We recommend the use of **2.5mm²** or **4mm²** OFC cabling with all Sherman full range cabinets.

Wherever possible, cable lengths should not exceed **5 metres** for 4 ohm loading (*2 x 8ohm M3 in parallel*); cabinet link cables should not exceed 1 metre.

Please call for details on Sherman cables - contact info^s shown below.

Please note

We would like to draw your attention to the likelihood of hearing damage from prolonged exposure to high sound pressure levels.

Care should be taken when using cabinets in close proximity to the audience, musicians or artists.

For further information on the safe operation of any Sherman product please fax, call or email us - contact details are shown below.

The information within this data sheet is accurate and correct at the time of publication.

It is recommended that all technical information is verified with the company before inclusion in quotations or tender documents.

The company will not be held responsible for losses or difficulties arising from errors, changes or omissions.

Tel: +44 (0)845 644 2209 (01686 622 997)

Fax: +44 (0)1686 623 233

Email: sales@shermann.com

Web: www.shermann-audio.com

All data, images & product design; © Ken Hughes 2008. **Shermann** is a registered trade mark used by S.P.A. Systems Ltd

Technical Specifications

System

Format	2 way Passive
Network	PCN3
Nom' impedance	8 ohms
Hi-pass filter (-3dB point)	45Hz / 4th order
Rec' amp' power @ 8 ohm	150 - 400 watts rms
Continuous Programme	800 watts

Performance

Sensitivity @ 1w/1m	99 dB
Maximum output	127 dB @ 1m
Frequency response	65 Hz - 18.5 KHz
Dispersion > 2 KHz	60° x 90°

Drive unit - LF

Drive unit size	255 mm / 10"
Voice coil diameter	64 mm / 2.5"
Chassis	cast aluminium
Magnet	neodymium
Mounting	5mm caphead bolts x 4

Drive unit - HF

Drive unit exit	25 mm / 1"
Voice coil diameter	44 mm / 1.75"
Magnet	ferrite
Diaphragm	mylar
Mounting	6 mm x 2

Dimensions

Height	480 mm (18.90")
Depth	273 mm (10.75")
Width	310 mm (12.20")
Apex height	308 mm (12.12")
External volume	34 lts (1.21 ft ³)
Weight	13.2 Kgs (30 lbs)

* Options must be requested at time of ordering.



ShermannAudio

The M Series