

A Series by SHERMANN Audio

GL1

(discontinued model - replacement parts readily available except 10" driver - recone only)

The super lightweight SHERMANN Audio **GL1** is a compact two way model supplied in passive drive format.

Standard hardware includes GS-TA2 flying track & safety tie set for use with Syrious GS-F2 flying brackets or GS-W2 wall brackets.

Also supplied is a GSA1/35* stand mount adaptor to enable use with any good quality tripod stand or bass cabinet mounted extension pole.

* NOT recommended for installation on 35mm spigot type wall brackets.



The SHERMANN Audio GL1 has been introduced to satisfy requirements for a full range, lightweight cabinet particularly for use with or without supplementary LF units in audio-visual systems.

In addition, the GL1 should also be considered as an ideal workhorse in small theatres, places of worship, schools and leisure centres.

The GL1 maintains a high standard of speech and music clarity throughout the audio range with the added advantages of super compact size and a significant weight reduction over competitive models.

A smooth, highly efficient 10" bass drive unit features a neodymium magnet assembly whilst a superb, ultra reliable 1" compression driver offers subtle, accurate detail in the upper mid and HF frequencies.

Both drive units are of European manufacture.

Touring the GL1

Versatility is the keyword with all SHERMANN Audio products and the GL1 has been designed to maximise use within a wide variety of system combinations.

This compact, lightweight multi role workhorse is supplied with a strategically placed handle to assist loading or stacking.

A fully recessed, heavy duty 35mm pole mount is supplied as standard along with a GS-TA2 flying track set for use with a GS-F2 flying bracket.

Installing the GL1

The numerous advantages of fully equipped SHERMANN Audio touring boxes are also available to the installer.

From a fully equipped instal model to a totally basic version with no handles, stand mount or flying fittings the GL1 may also be specified in a variety of painted finishes.

Our expertise in the installation market allows us to offer superb sounding systems which are highly efficient, cost-effective and fully compatible with our customer's requirements.

Exterior fittings

Handle (top)

Steel recessed steel large flip type

Finish

Heavy duty black carpet or optional textured paint finish - any colour *

Grille

Heavy duty welded mesh on steel frame c/w acoustically transparent foam and engraved logo.

Skids

Bottom mounted easily replaced 15mm plywood skids

Flying Points (supplied)

1) GS-TA2 top and rear mounted track (supplied)

Construction

Cabinet shell

15mm multi-laminate Scandinavian birch plywood.

Baffle assembly

25mm multi-laminate Scandinavian birch plywood.

Connections

Speakon NL4

pin 1+ **hot** / pin 1- **cold**

Speakon NL4 (option) *

pin 2+ **hot** / pin 2- **cold**

Input sockets are parallel linked on all pins eg. 1+ to 1+ / 2+ to 2+ (see diagram)

This facility allows "daisy chaining" of four GL1 cabinets in pairs using one four core cable.

An appropriate adaptor cable capable of routing the feed from pins 2+/2- to 1+/1- is available.

Crossover frequencies

High pass (full range mode)

45Hz 4th/8th order Linkwitz-Riley or Butterworth filtering

High pass (with SHERMANN Audio LF systems)

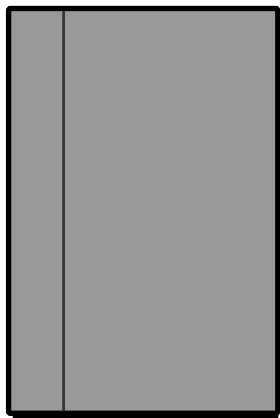
110Hz 4th order Linkwitz-Riley

* Options must be requested at time of ordering.

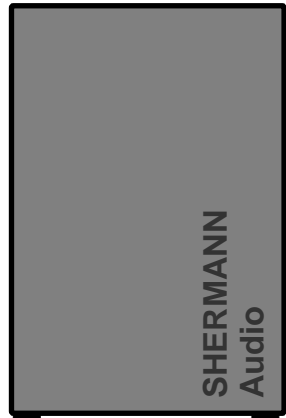
For optimum performance and system protection we recommend the use of a digital loudspeaker management unit within systems incorporating the GL1.

Ashly, BSS, DBX, Klark-Teknik, and XTA offer suitable models which may be loaded with preset configurations to enable successful operation within any SHERMANN Audio system.

GL1



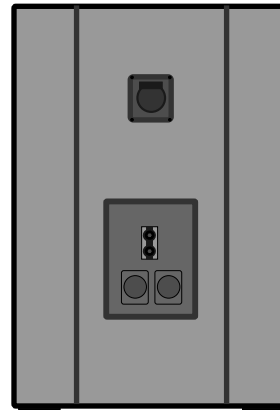
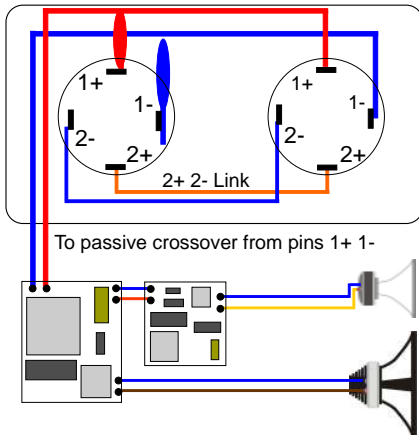
284mm



323mm

479mm

NL4 input plate



Speaker Cables

We recommend the use of **2.5mm²** or **4mm²** OFC cabling with all SHERMANN Audio full range cabinets.

Wherever possible, cable lengths should not exceed **5 metres** for 4 ohm loading (*2 x 8ohm GL1 in parallel*); cabinet link cables should not exceed 1 metre.

Please call for details on SHERMANN Audio cables - contact info' shown below.

Please note

We would like to draw your attention to the likelihood of hearing damage from prolonged exposure to high sound pressure levels.

Care should be taken when using cabinets in close proximity to the audience, musicians or artists.

For further information on the safe operation of any SHERMANN Audio product please fax, call or email us - contact details are shown below.

The information within this data sheet is accurate and correct at the time of publication.

It is recommend that all technical information is verified with the company before inclusion in quotations or tender documents.

The company will not be held responsible for losses or difficulties arising from errors, changes or omissions.

Tel: +44 (0)8456 44 22 09 (01686 622 997)

Fax: +44 (0)1686 623 233

Email: sales@shermann.com

Web: www.shermann-audio.com

All data, images & product design: © Ken Hughes 2007. **Shermann** is a registered trade mark used by S.P.A. Systems Ltd

Technical Specifications

System

Format	2 way Passive
Network	PCN-3
Nom' impedance	8 ohms
Hi-pass filter (-3dB point)	35Hz / 4th order
Rec' amp' power @ 8 ohm	150 - 200 watts rms
Continuous Programme	350 watts
Short term peak	500 watts

Performance

Sensitivity @ 1w/1m	97 dB
Maximum output	124 dB @ 1m
Frequency response	75 Hz - 18.5 KHz
Dispersion > .5 KHz	80° x 60°

Drive unit - LF

Drive unit size	255 mm / 10"
Voice coil diameter	51 mm / 2"
Chassis	Cast aluminium
Magnet	Neodymium
Mounting	5mm caphead bolts x 4

Drive unit - MF

Drive unit size	n/a
Voice coil diameter	
Chassis	
Magnet	
Mounting	

Drive unit - HF

Drive unit exit	25 mm / 1"
Voice coil diameter	38 mm / 1.5"
Magnet	Ferrite
Diaphragm	mylar
Horn mounting	5mm c/s socket bolts x 4

Dimensions

Height	479 mm (18.88")
Depth	284 mm (11.20")
Width	323 mm (12.70")
External volume	33 lts (1.18 ft ³)
Weight	13.2 Kgs (29 lbs)

* Options must be requested at time of ordering.

** Copyright - Ken Hughes 2002



SHERMANN Audio

A Series